

FACTS

PLATEAU-I

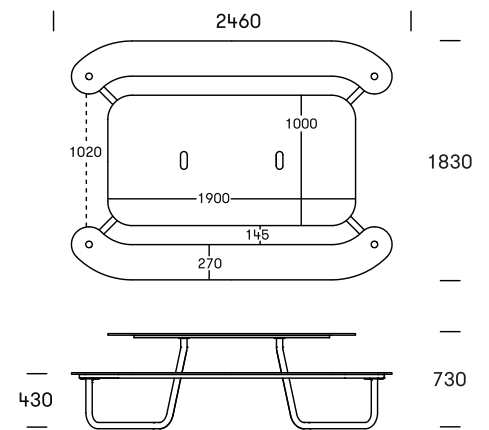
177

PLATEAU presents a stringent - almost graphic - expression firmly rooted in the Scandinavian design tradition. Designed to provide numerous seats in socially oriented formations, Plateau is produced from durable materials requiring no other maintenance than soap and water.

Three available models provide accessibility for all kinds of users. Combining the models in different ways provides a variety of solutions both functionally and aesthetically.

Plateau I features two benches surrounding the table like a pair of parentheses, with room for a wheelchair at either end. Seats 6-8 - including two wheelchairs.

Design: Holscher Design



TECHNICAL DATA

Material

Seat/tabletop: robust, multi-layered and dyed 12mm HPL (High Pressure Laminate) available in 6 colours. Highly UV- and weather-resistant, solid mechanical quality and durability. Frame: Hot galvanized steel or hot galvanized steel + textured, anthracite powder-paint. Approx. colour code RAL 7024. Disc: Bead blasted stainless steel.

Dimensions

L2460 x B1830 x H730mm

Seats 6-8 including two wheelchairs.

Fixation

4 x Ø14mm holes. For surface fixation.

Variant

Frame + HPL are available in other colours.

Family

[Plateau O](#)

10-12 seats, elliptical bench

[Plateau L](#)

8-10 seats, open access, kids chair friendly

Maintenance

Maintenance-free and easy to clean. Graffiti removes easily. All parts can be individually replaced in case of vandalism.

Product code

177 2174 Plateau I, grey white HPL/galv./105 kg

177 2101 Plateau I, mars red HPL/galv./105 kg

177 2118 Plateau I, olive HPL/galv./105 kgg

177 2105 Plateau I, steel blue HPL/galv./105 kg

177 2100 Plateau I, corro HPL/galv./105 kg

177 2108 Plateau I, anthracite HPL/galv./105 kg

177 2274 Plateau I, grey white HPL/paint./105 kg

177 2201 Plateau I, mars red HPL/paint./105 kg

177 2218 Plateau I, olive HPL/paint./105 kg

177 2205 Plateau I, steel blue HPL/paint./105 kg

177 2200 Plateau I, corro HPL/paint./105 kg

177 2208 Plateau I, anthracite HPL/paint./105 kg

Standard colours (approx. RAL)



Anthracite: RAL 7024



Grey white: RAL 9002



Corro: RAL 8011



Steel blue: RAL 5024



Olive: RAL 6013



Mars red: 3020