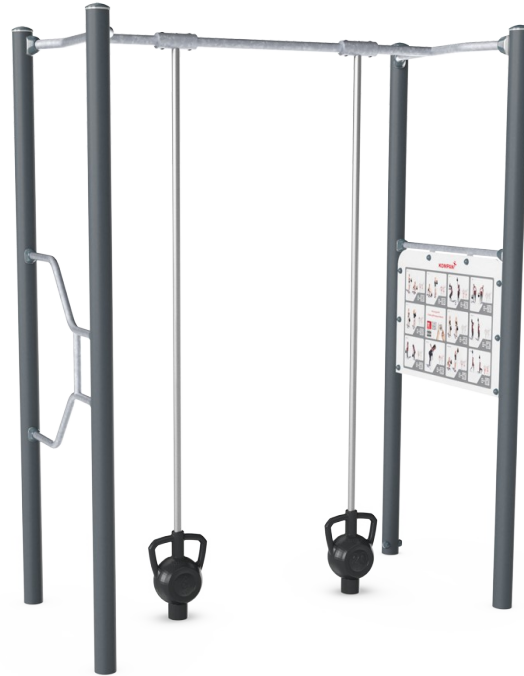


Magnetic Bells Compact

FAZ108



Item no. FAZ10800-0900	
General Product Information	
Dimensions LxWxH	227x119x291 cm
Age group	13+
Play capacity (users)	2
Colour options	

An innovative magnetic breaking system allows the user to increase the resistance by increasing the speed of movement. The patented system also functions as brake when someone drops the magnetic bells and will reduce the impact significantly. The option to choose between a light, medium or heavy training weight offers a scalable training and it

makes the Magnetic Bells an accessible piece of equipment for both the trained and the untrained. The Magnetic bells move freely up and down and can spin 360°. This allows the users to do exercises which are very similar to medicine balls and kettle bell exercises. The Magnetic bell comes with 3 different weights 6, 9 and 12kg.



Magnetic Bells Compact

FAZ108



KOMPAN fitness products are standard available in Orange, Anthracite Grey, Medium Grey, Dark Grey, Night Sky Blue, Light Blue, Yellow, Red, Black, Moss Green, Lime Green, Medium Green, Sand and Nut Brown. All other RAL colours are available on request. It will always be possible to match the surroundings or colour theme!



Post are made of Ø101.6 x 2mm, pre-galvanized carbon steel and powder coated, a great protection to all conditions.



The Sign is made from a 15mm Polycarbonate and supported by Ø38.2mm top bar. This is an extremely solid assembly which provides great structural stability. The sign shows the 11 main exercises and has a QR code which refers users to the Kompan Fit APP that offers extended support on exercises and training.

Item no. FAZ10800-0900

Installation Information

Max. fall height	0 cm
Safety surfacing area	6.1 m ²
Total installation time	5.0
Excavation volume	0.36 m ³
Concrete volume	0.17 m ³
Footing depth (standard)	90 cm
Shipment weight	287 kg
Anchoring options	

Warranty Information

Signs	10 years
Coated steel parts	10 years
PUR components	10 years
Movable parts	2 years
Spare parts guaranteed	10 years



The uniquely designed Magnetic Bells are made of PUR and a reinforced aluminium steel frame that ensures a strong design. The ergonomically shaped handles guarantee a good and pleasant grip for all users.

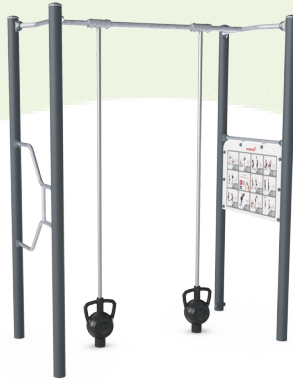


The magnets which are used are High Strength Neodymium magnets. The magnetic radiation is under strict control, the radiation level never exceeds 5 Gauss (0.5mT), which makes them perfectly safe to use as an training item.



The bars intended for exercises are made of hot-dip galvanised steel ø48mm. The diameter of these bars provide a good support when used to for push ups exercises or when doing exercises standing on the tubes.





Cradle to Gate A1-A3	Total CO ₂ emission	CO ₂ e/kg	Recycled materials
	kg CO ₂ e	kg CO ₂ e/kg	%
FAZ10800-0900	645.80	3.93	40.30

The overall framework applied for these factors is the Environmental Product Declaration (EPD), which quantifies "environmental information on the life cycle of a product and enable comparisons between products fulfilling the same function" (ISO, 2006). This follows the structure and applies a Life-Cycle Assessment approach to the entire Product stage from raw material through manufacturing (A1-A3))

Kompan A/S
 C.F. Tietgens Boulevard 32C
 DK-5220 Odense SØ
 Denmark



Validation of CO₂ calculation of: Fitness



Data version no. 2021-09-27

The CO₂ calculation and data are in compliance with the principles of a carbon footprint impact according to the GHG protocol (Greenhouse Gas Protocol), Scope 3, cradle to gate related to all individual components in the product category: "Fitness" represented by item no.: FAZ10100-0900 (Scope 3 emissions include emission sources in the upstream and downstream value chain).

Date: 15. October 2021 | Valid until: 15. October 2023

Validated by:

Bente Hviid, Senior Consultant

Peter Bendtsen, Senior Consultant

Validation based on report: Validation of CO₂ calculation of 8 categories of Kompan product line, version 1.0, prepared by: Bureau Veritas HSE, Denmark: Bente Hviid and Peter Bendtsen.

Publication date: 15. October 2021

By Bureau Veritas HSE
 www.bureauveritas.dk
 +45 7731 1000

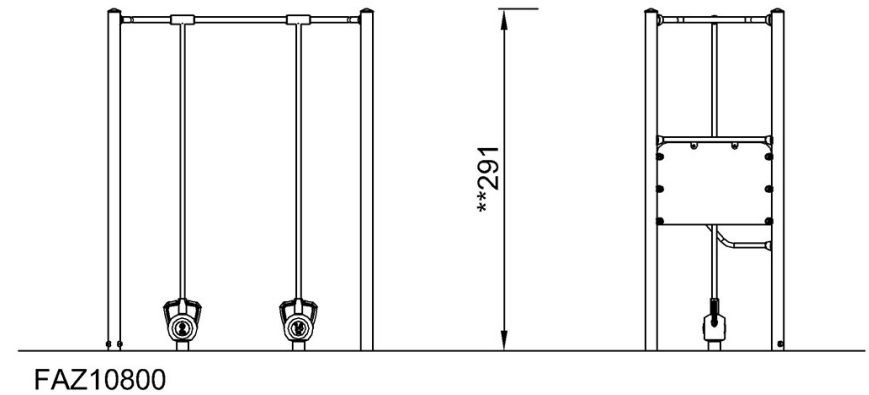
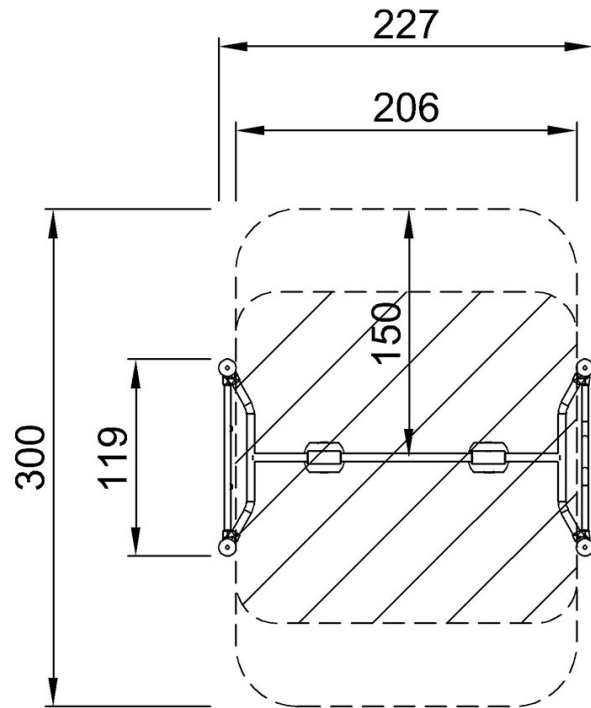


Magnetic Bells Compact

FAZ108

* Max fall height | ** Total height | *** Safety surfacing area

* Max fall height | ** Total height



FAZ10800
**291cm
***6.1m²

[Click to see TOP VIEW](#)

[Click to see SIDE VIEW](#)