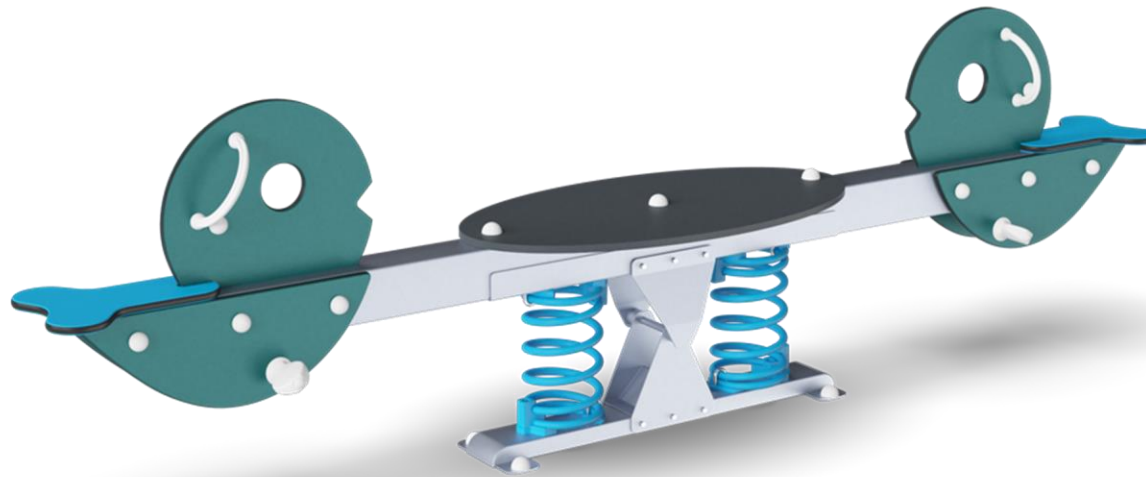
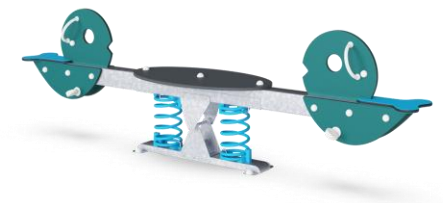


Albatross

M143



Item no. M14374-01P	
General Product Information	
Dimensions LxWxH	55x310x92 cm
Age group	3+
Play capacity (users)	4
Colour options	



The classic Albatross seesaw motivates children to join in with play, rocking together. The whimsical design, a KOMPAN classic, attracts children's attention, and the sturdy hand and foot supports allow for mild or wild rocking. The spring base makes it possible for different ages, even adults and children, to rock together. Risk seekers can stand on the middle

platform, sensing the movement created by the others. The platform also allows for socializing, lying or sitting. There is room for a care giver, too, so it becomes a fully inclusive piece. The seats at the end are big enough for older children as well as adults, and the fun thrill of rocking, individually, or in pairs or groups, will make children play for longer. Rocking on the

Albatross trains the children's muscles and motor skills, e.g. balance and coordination. The Albatross supports development of social-emotional skills including cooperation, consideration and turn-taking.



Albatross

M143



Foot support

Physical: the possibility of footrest supports intensive rocking. Rocking stimulates the senses of balance and space that are fundamental in managing the world securely.



Center platform

Physical: supports agility, balance and coordination when standing, using leg and core muscles, building bone density when jumping. Facilitate sitting and lying also, allowing for users with disabilities.

Social-emotional: provides an inclusive space. Point for gathering and for care givers assisting. Teamwork and socializing when rocking together.



Handhold

Physical: the possibility to hold onto more areas of the handhold ensures a good grip, necessary for rocking intensely. This trains hand and arm muscles.



Rocking spring

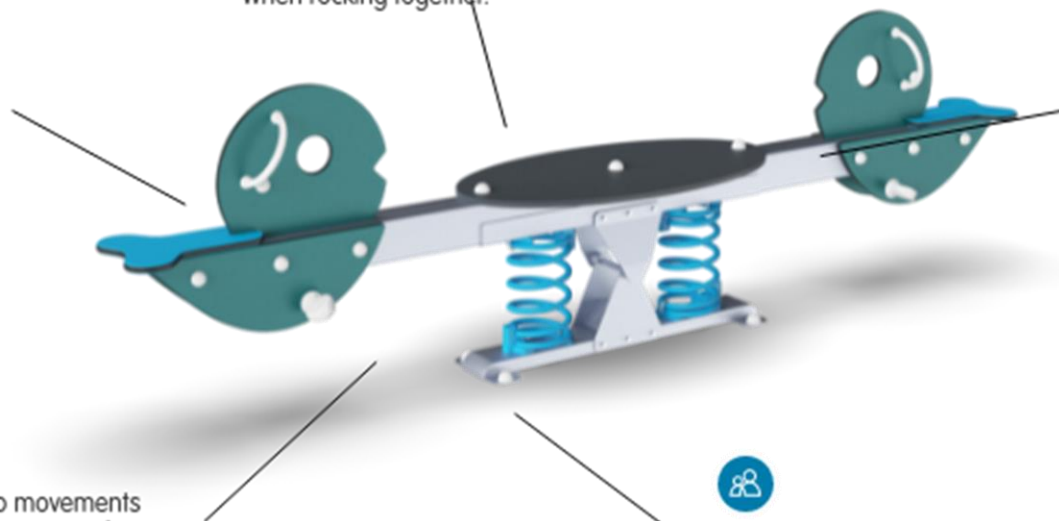
Physical: response to movements adds to spatial awareness and sense of balance. These are fundamental motor skills that help the child's ability to sit still on a chair which takes a good sense of balance.

Cognitive: trains the understanding of cause and effect: when I move my body, the spring responds with movement.



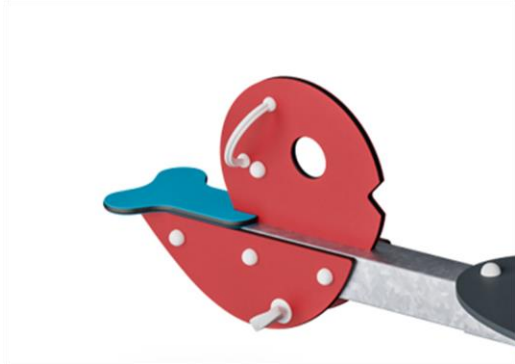
Rocking together

Social-emotional: the possibility of rocking two together trains cooperation skills. Consideration of others when rocking.

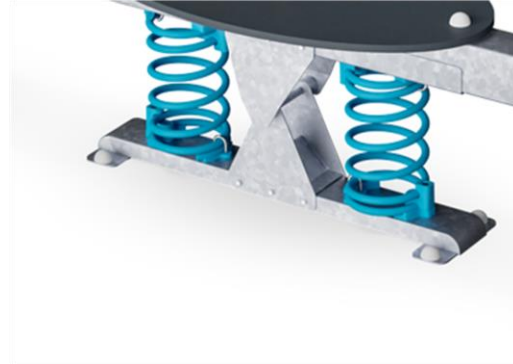


Albatross

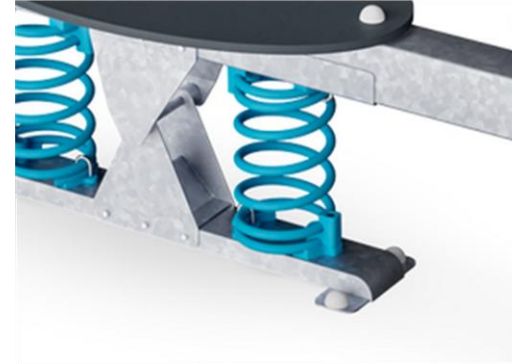
M143



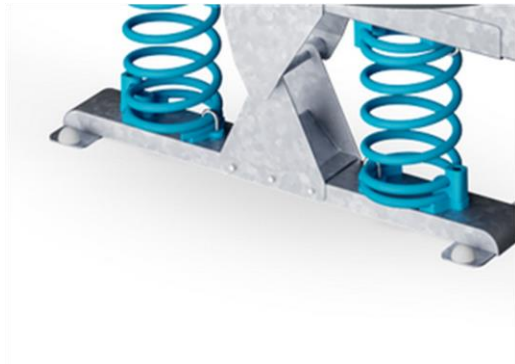
Panels of 19mm EcoCore™. EcoCore™ is a highly durable, eco friendly material, which is not only recyclable after use, but also consists of a core produced from 100% recycled post consumer material from food packing waste.



KOMPAN Springs are made of high quality spring steel according to EN10270. The springs are cleaned by phosphating before they are painted with an epoxy primer and a polyester powder coating as top finish. The springs are fixed by unique anti pinch fittings for maximum safety and long lifetime.



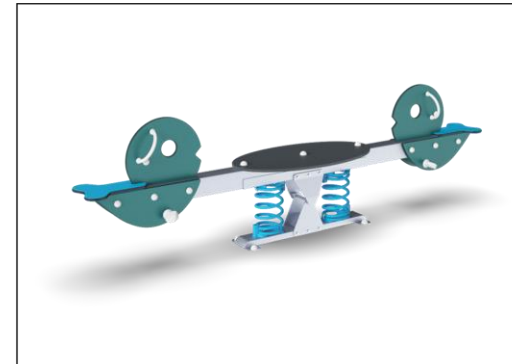
The springs are fixed by unique anti pinch fittings for maximum safety and long lifetime.



The steel support posts are hot dip galvanised inside and outside with lead free zinc. The galvanisation has excellent corrosion resistance in outside environments and requires low maintenance.



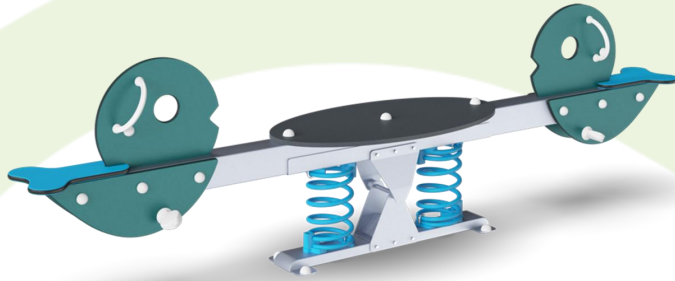
Platform and seats are made of HPL with a thickness of 17,8mm with a very high wearing strength and a unique KOMPAN nonskid surface texture.



KOMPAN GreenLine versions are designed with ultimate environmentally friendly materials with lowest possible CO2e emission factor such as EcoCore™ panels of 100% post consumer recycled ocean waste.

Item no. M14374-01P	
Installation Information	
Max. fall height	100 cm
Safety surfacing area	13,7 m ²
Number of installers	2
Total installation time	4,4
Excavation volume	0,42 m ³
Concrete volume	0,00 m ³
Footing depth (standard)	42 cm
Shipment weight	126 kg
Anchoring options	In-ground ✓ Surface ✓
Warranty Information	
EcoCore HDPE	Lifetime
Springs	5 years
HPL platform	15 years
Hot dip galvanised steel	Lifetime
Spare parts guaranteed	10 years





Cradle to Gate A1-A3	Total CO ₂ emission	CO ₂ e/kg	Recycled materials
	kg CO ₂ e	kg CO ₂ e/kg	%
M14374-01P	270,56	2,23	42,55
M14375-01P	262,45	2,16	45,06

The overall framework applied for these factors is the Environmental Product Declaration (EPD), which quantifies "environmental information on the life cycle of a product and enable comparisons between products fulfilling the same function" (ISO, 2006). This follows the structure and applies a Life-Cycle Assessment approach to the entire Product stage from raw material through manufacturing (A1-A3))

Kompan A/S
 C.F. Tietgens Boulevard 32C
 DK-5220 Odense SØ
 Denmark



Validation of CO₂ calculation of: Themed play systems



Data version no. 2021-09-27

The CO₂ calculation and data are in compliance with the principles of a carbon footprint impact according to the GHG protocol (Greenhouse Gas Protocol), Scope 3, cradle to gate related to all individual components in the product category: "Themed play systems" represented by item no.: MSC641100-3717P.

(Scope 3 emissions include emission sources in the upstream and downstream value chain).

Date: 15. October 2021 | Valid until: 15. October 2023

Validated by:

Bente Hviid, Senior Consultant

Peter Bendtsen, Senior Consultant

Validation based on report: Validation of CO₂ calculation of 8 categories of Kompan product line, version 1.0, prepared by: Bureau Veritas HSE, Denmark: Bente Hviid and Peter Bendtsen.

Publication date: 15. October 2021

By Bureau Veritas HSE
 www.bureauveritas.dk
 +45 7731 1000

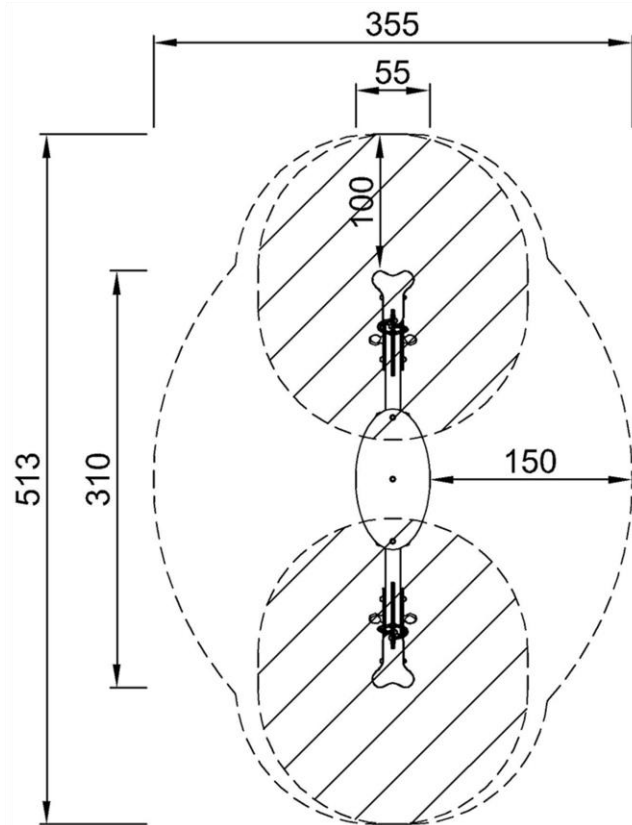


Albatross

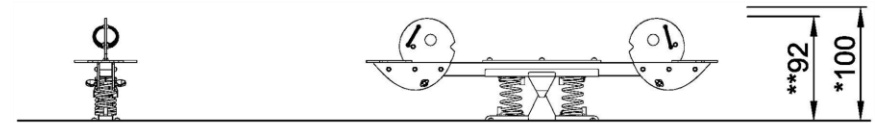
M143

* Max fall height | ** Total height | *** Safety surfacing area

* Max fall height | ** Total height



M14375
*100cm
**92cm
***13.7m²



M14375
1:100

[Click to see 1:100 ratio TOP VIEW](#)

[Click to see 1:100 ratio SIDE VIEW](#)