

Toddler Carriage

M537



Item no. M53700-3418P

General Product Information

Dimensions LxWxH	96x96x132 cm
Age group	6m+
Play capacity (users)	3
Colour options	



The delightful Toddler Carriage is a great meeting point for toddlers. It functions perfectly in combination with the Toddler Train. The through and meeting options offer physical and social play. The traffic theme will spur children's imagination: where are we going on the train? The toddlers enjoy moving their bodies around the train. This trains the cross-

coordination, which is crucial to train for toddlers. The cross-coordination supports the functions in the brain that facilitate later reading skills. Thanks to the semi-open sides and the doorways and window holes, social interactions are supported from the inside to the outside. Care giver interaction is made easier, and the holes invite a nice round of peek-a-boo. In spite

of transparency, the Train still provides corners for toddlers to play den in.



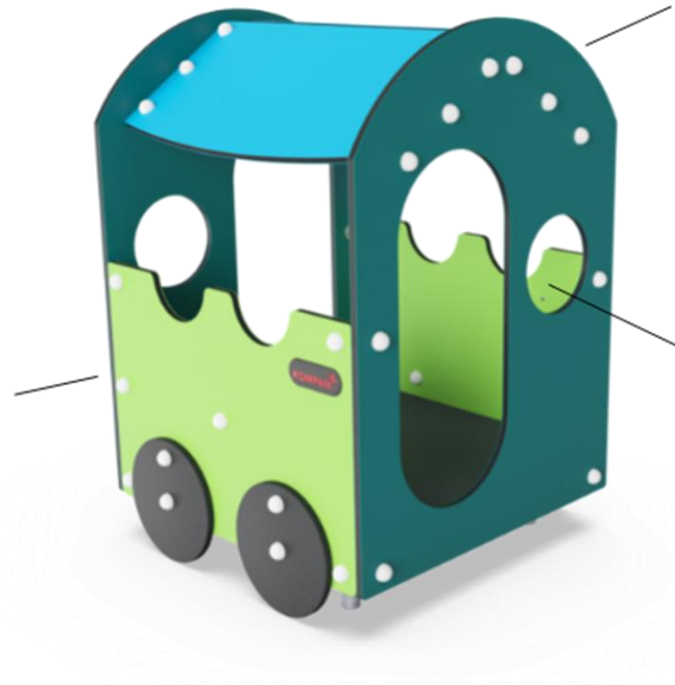
Data is subject to change without prior notice.

Toddler Carriage

M537



Bench
Social-emotional: gathering, cooperating or taking a break from play - all train social skills.



Theme
Cognitive: suggests a theme and supports dramatic play, which stimulates languages and communication skills.



Window
Social-emotional: invites interaction between sides and cooperative play.

Toddler Carriage

M537



Panels of 19mm EcoCore™. EcoCore™ is a highly durable, eco friendly material, which is not only recyclable after use, but also consists of a core produced from 100% recycled post consumer material from food packing waste.

Floor is made of HPL with a thickness 10 mm and non skid surface texture according to EN 438-6. KOMPAN HPL has high wearing strength to ensure long lifetime in all climates.



KOMPAN GreenLine versions are designed with ultimate environmentally friendly materials with lowest possible CO2e emission factor such as EcoCore™ panels of 100% post consumer recycled ocean waste.

Item no. M53700-3418P

Installation Information

Max. fall height	48 cm
Safety surfacing area	13,4 m ²
Number of installers	2
Total installation time	5,0
Excavation volume	0,09 m ³
Concrete volume	0,00 m ³
Footing depth (standard)	60 cm
Shipment weight	149 kg
Anchoring options	In-ground ✓ Surface ✓

Warranty Information

EcoCore HDPE	Lifetime
Movable parts	2 years
HPL decks	15 years
Spare parts guaranteed	10 years





Cradle to Gate A1-A3	Total CO ₂ emission	CO ₂ e/kg	Recycled materials
	kg CO ₂ e	kg CO ₂ e/kg	%
M53700-3418P	173,79	1,71	56,78
M53701-3418P	161,05	1,58	61,68

The overall framework applied for these factors is the Environmental Product Declaration (EPD), which quantifies "environmental information on the life cycle of a product and enable comparisons between products fulfilling the same function" (ISO, 2006). This follows the structure and applies a Life-Cycle Assessment approach to the entire Product stage from raw material through manufacturing (A1-A3))

Kompan A/S
 C.F. Tietgens Boulevard 32C
 DK-5220 Odense SØ
 Denmark



Validation of CO₂ calculation of: Themed play systems



Data version no. 2021-09-27

The CO₂ calculation and data are in compliance with the principles of a carbon footprint impact according to the GHG protocol (Greenhouse Gas Protocol), Scope 3, cradle to gate related to all individual components in the product category: "Themed play systems" represented by item no.: MSC641100-3717P.

(Scope 3 emissions include emission sources in the upstream and downstream value chain).

Date: 15. October 2021 | Valid until: 15. October 2023

Validated by:

Bente Hviid, Senior Consultant

Peter Bendtsen, Senior Consultant

Validation based on report: Validation of CO₂ calculation of 8 categories of Kompan product line, version 1.0, prepared by: Bureau Veritas HSE, Denmark: Bente Hviid and Peter Bendtsen.

Publication date: 15. October 2021

By Bureau Veritas HSE
 www.bureauveritas.dk
 +45 7731 1000

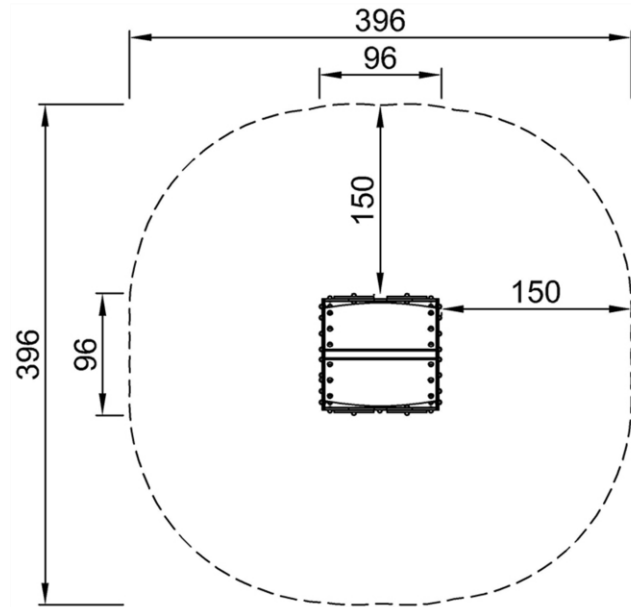


Toddler Carriage

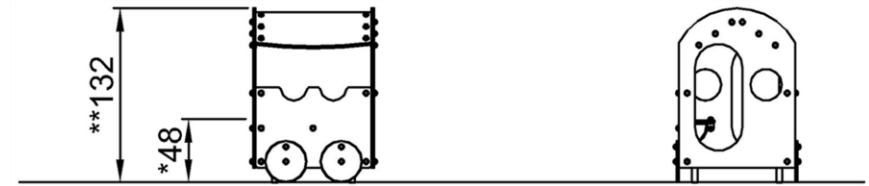
M537

* Max fall height | ** Total height | *** Safety surfacing area

* Max fall height | ** Total height



M53701
*48cm
**132cm
***13.4m²



M53701
1:100

[Click to see 1:100 ratio TOP VIEW](#)

[Click to see 1:100 ratio SIDE VIEW](#)