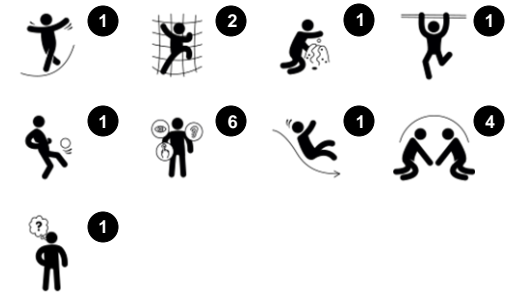


Play Tower with Climbing Pole

PCM101621



Item no. PCM101621-0601	
General Product Information	
Dimensions LxWxH	364x139x200 cm
Age group	2+
Play capacity (users)	13
Colour options	



The Play Tower with Climbing Pole is very appealing to toddlers. They will climb and slide over and over again. The varied climbers train cross-coordination, important for cross-modal perception, which stimulates reading. On the platform, the tactile abacus allows for cognitive play, counting and using numbers in games. Due to the position, it's visible from the ground

and invites interaction between inside and outside of the play piece. The slide is a stomach-tickling play experience, which additionally trains the sense of balance, fundamental for all other motor skills. On the ground, the nice bench and the space under the platform creates an area for socialising or quieter time. This stimulates sharing and

making friends, important for building up children's social-emotional skillset.

Play Tower with Climbing Pole

PCM101621



Balcony

Social-emotional: the balcony invites meetings and interaction with people on ground level.

Cognitive: invites dramatic play and performance, which stimulates language development.



Climbing pole

Physical: cross coordination and muscle strength are trained.

Social-emotional: turn-taking and cooperation.



Rock climber

Physical: supports cross coordination and leg, arm and hand strength.

Social-emotional: the inclination makes climbing feel secure, especially for younger children.



Slide

Physical: sliding develops spatial awareness and a sense of balance. Furthermore, the core muscles are trained when sitting upright going down.

Social-emotional: empathy stimulated by turn-taking.

Cognitive: young children develop their understanding of space, speed and distances when sliding down quickly.



Abacus

Cognitive: supports understanding of measures.



Desk

Social-emotional: fine meeting place and a space creator. Sharing and cooperation from both sides create a social scenario that supports communication and cooperation.

Play Tower with Climbing Pole

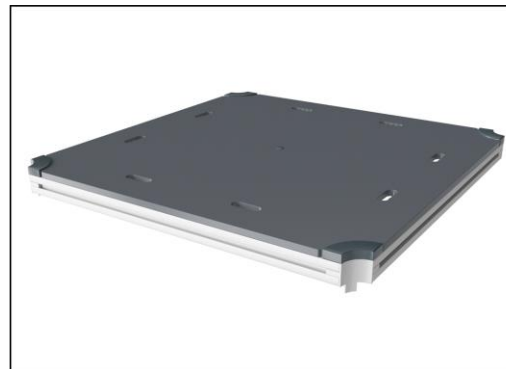
PCM101621



Panels of 19mm EcoCore™. EcoCore™ is a highly durable, eco friendly material, which is not only recyclable after use, but also consists of a core produced from 100% recycled post consumer material from food packing waste. Wooden panels of impregnated and brown painted pine wood with vertical steel profiles.



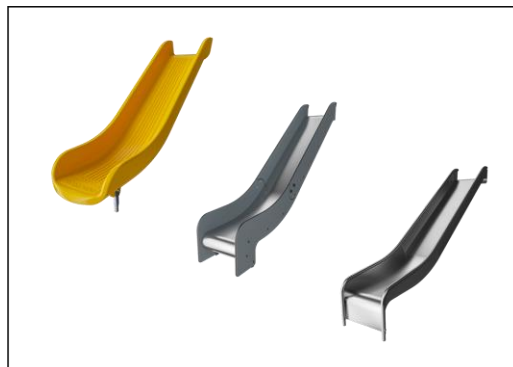
Main posts with hot dip galvanized steel footing are available in different materials: Pressure impregnated pine wood posts. Pre-galvanized inside and outside with powder coated top finish steel posts. Lead free aluminum with color anodized top finish. Greenline TexMade posts of 100% post-consumer recycled PE and textile waste.



All decks are supported by unique designed low-carbon aluminum profiles with multiple attachment options. The grey colored molded decks are made of 75% post-consumer ocean waste PP material with a non-skid pattern and texture surface.



Coloured steel components have a base of hot dip galvanisation and a powder coated top finish. This provides an ultimate corrosion resistance in all climates around the world.



The slides can be chosen in different materials and colors: Straight or curved one-piece molded PE slides in yellow or grey color. Combined EcoCore™ sides and stainless-steel. Full stainless steel in one-piece design for more vandalism proof solutions.



KOMPAN GreenLine versions are designed with ultimate environmentally friendly materials with lowest possible CO2e emission factor. TexMade post, EcoCore™ panels of 100% post consumer recycled ocean waste and molded PP decks.

Item no. PCM101621-0601

Installation Information

Max. fall height	118 cm
Safety surfacing area	22,1 m ²
Number of installers	2
Total installation time	10,6
Excavation volume	0,26 m ³
Concrete volume	0,00 m ³
Footing depth (standard)	60 cm
Shipment weight	208 kg
Anchoring options	

Warranty Information

EcoCore HDPE	Lifetime
Post	10 years
10 years	
Spare parts guaranteed	10 years





Cradle to Gate A1-A3	Total CO ₂ emission	CO ₂ e/kg	Recycled materials
	kg CO ₂ e	kg CO ₂ e/kg	%
PCM101621-0601	524,25	2,86	42,01
PCM101621-0650	394,90	1,88	62,89

The overall framework applied for these factors is the Environmental Product Declaration (EPD), which quantifies "environmental information on the life cycle of a product and enable comparisons between products fulfilling the same function" (ISO, 2006). This follows the structure and applies a Life-Cycle Assessment approach to the entire Product stage from raw material through manufacturing (A1-A3))

Kompan A/S
 C.F. Tietgens Boulevard 32C
 DK-5220 Odense SØ
 Denmark

Validation of
 CO₂ calculation
 BUREAU VERITAS
 HSE Denmark AIS



Validation of CO₂ calculation of play module item no. PCM200309-0010.



Data version no. 2021-01-11

The CO₂ calculation and data are in compliance with the principles of a carbon footprint impact according to the GHG protocol (Greenhouse Gas Protocol), Scope 3, cradle to gate related to all individual components in the play module item no. PCM200309-0010. (Scope 3 emissions include emission sources in the upstream and downstream value chain).

Date: 25. January 2021

Validated by:

Bente Nesting, Senior Consultant

Peter Bendtsen, Senior Consultant

Validation based on report: Validation of CO₂ calculation of play module – Kompan, version 1.0, prepared by: Bureau Veritas HSE, Denmark: Bente Hviid Nesting and Peter Bendtsen

Publication date: 25. January 2021

By Bureau Veritas HSE
 www.bureauveritas.dk
 +45 7731 1000

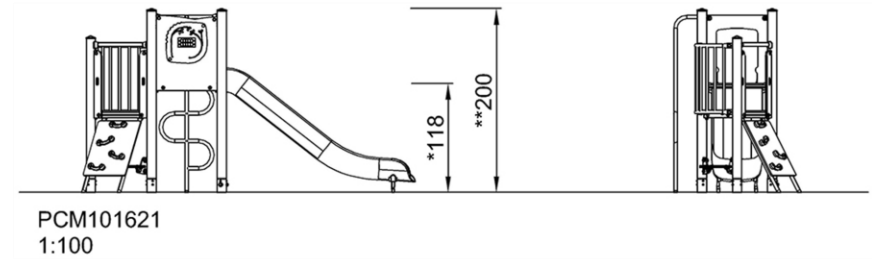
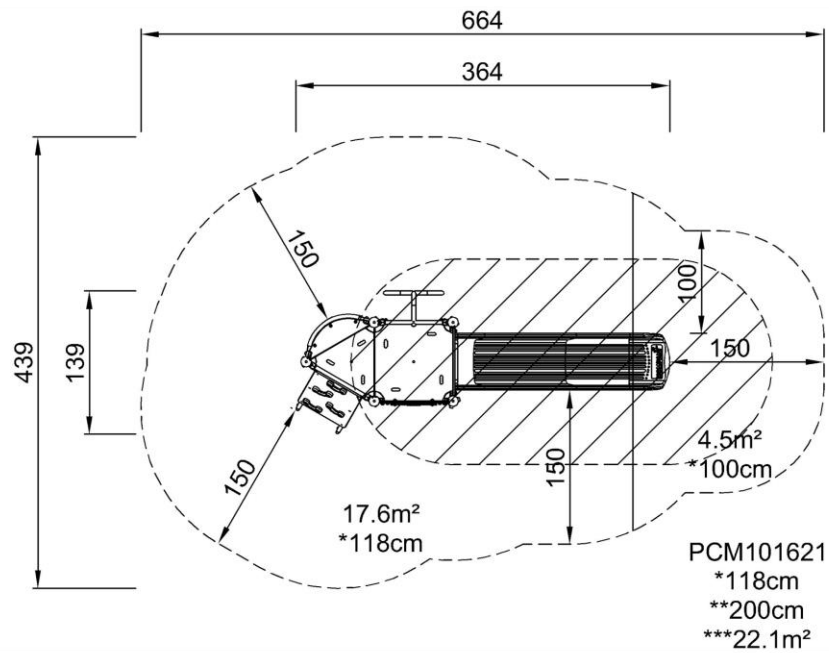


Play Tower with Climbing Pole

PCM101621

* Max fall height | ** Total height | *** Safety surfacing area

* Max fall height | ** Total height



[Click to see 1:100 ratio TOP VIEW](#)

[Click to see 1:100 ratio SIDE VIEW](#)