

Tipi Carousel with Top Brace

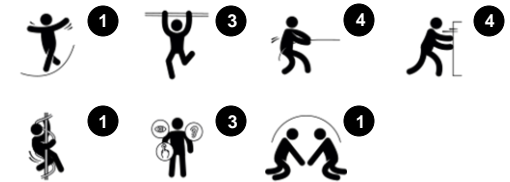
ELE400065



Item no. ELE400065-3717GR

General Product Information

| | |
|-----------------------|---------------|
| Dimensions LxWxH | 120x120x18 cm |
| Age group | 4+ |
| Play capacity (users) | 8 |
| Colour options | |



WOW, a spinning TIPI! The whimsical shapes of the TIPI carousel with top brace attracts children in its own right. And they will play here again and again, thanks to the multifunctionality of the slick TIPI. Responsive to children's movements, the TIPI spins when pushed or pulled. Apart from being a fun negotiation and turn-taking game, the pushing and pulling build

muscles and cardio. In the TIPI children can lie, sit or stand with the support of the side bars or the top frame. This welcomes children with mobility disabilities to be part of the play, too. The spinning movement trains the sense of space and balance. The sense of balance is fundamental to all other motor skills and is important for motor control, for instance being

able to sit still or cycle securely, without falling. The TIPI facilitates universal, inclusive play. It's good fun!



Data is subject to change without prior notice.

Tipi Carousel with Top Brace

ELE400065



Top frame

Physical: support for standing, gripping, and training the sense of balance when spinning.

Social-emotional: supports standing for more children at a time. Adds support and a feeling of security for children with mobility impairments or disabilities.



Three side bars

Physical: support for gripping, pushing and pulling, training muscles. Back support for seating, also for children with mobility impairments or disabilities.

Social-emotional: supports seated positions for more children. Facilitates social interaction between inside and outside, when children spin each other. Facilitates use from outside of Tipi Carousel, and turn-taking.



Spacious platform

Physical: allows for more body positions: sitting, lying, standing, which facilitates use for children with physical disabilities.

Social-emotional: facilitates many children using the Tipi Carousel simultaneously, supporting cooperation and turn-taking.



Shallow entry rim

Physical: support for entering and staying in when spinning. Eases entry for children with a range of mobility disabilities.

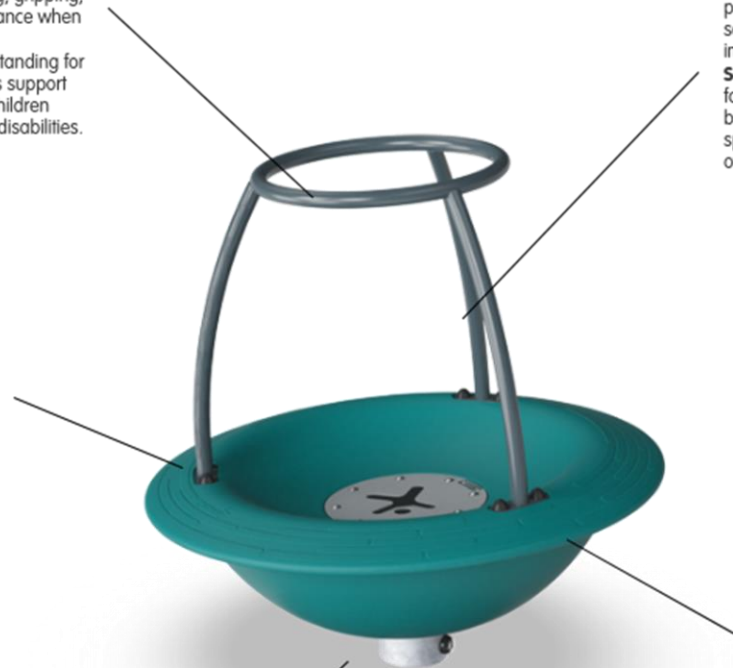
Social-emotional: feeling of security when children lie or sit in Tipi Carousel. Provides a secure feeling for those seated when spinning.



Rotation

Physical: pushing or pulling it into motion, children use their muscle strength and strengthen their cardio. The rotation develops the sense of balance and space when enjoying the ride.

Social-emotional: listening and negotiating how slow or fast to go, children develop their empathy and cooperation skills.



Tipi Carousel with Top Brace

ELE400065



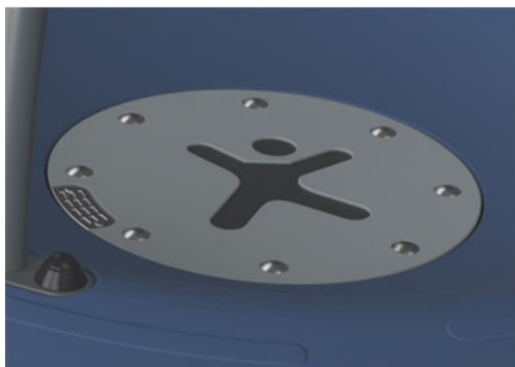
The bowls are made of recyclable PE. The bowls are moulded in one piece with integrated metal thread bushings and water drain hole to ensure high durability in all climates around the world.



Top brace is made of welded steel. The steel is hot dip galvanised inside and outside with lead free zinc and with outside powder coated top-finish.



Heavy duty engineered bearing system with single row deep groove ball bearings with rubber seals. The fully closed bearing construction is lifetime lubricated and maintenance free.



Tipi Carousel has unique water drain system. Water drains automatically - assuring that carousel is always dry and ready to use. The water drain is covered by stainless steel strainer.



The sand colored variant is made of rotomolded stone mixed PE material with non skid surface texture. Minor differences in the stone mix visualy of the material are to be expected.



GreenLine versions in dark teal color are designed with molded PP parts which consist of 25% recycled post consumer waste and 75% virgin material. GreenLine ensures the lowest possible CO2e emission factor.

Item no. ELE400065-3717GR

Installation Information

| | |
|--------------------------|--------------------------|
| Max. fall height | 100 cm |
| Safety surfacing area | 21,3 m ² |
| Number of installers | 2 |
| Total installation time | 2,5 |
| Excavation volume | 0,44 m ³ |
| Concrete volume | 0,31 m ³ |
| Footing depth (standard) | 100 cm |
| Shipment weight | 86 kg |
| Anchoring options | In-ground ✓ Surface ✓ |

Warranty Information

| | |
|--------------------------|----------|
| Hollow PE parts | 10 years |
| Bearing construction | 5 years |
| Hot dip galvanised steel | Lifetime |
| Spare parts guaranteed | 10 years |





| Cradle to Gate A1-A3 | Total CO ₂ emission | CO ₂ e/kg | Recycled materials |
|----------------------|--------------------------------|-------------------------|--------------------|
| | kg CO ₂ e | kg CO ₂ e/kg | % |
| ELE400065-3717GR | 290,85 | 3,50 | 37,38 |
| ELE400065-3717DT | 274,74 | 3,31 | 37,38 |

The overall framework applied for these factors is the Environmental Product Declaration (EPD), which quantifies "environmental information on the life cycle of a product and enable comparisons between products fulfilling the same function" (ISO, 2006). This follows the structure and applies a Life-Cycle Assessment approach to the entire Product stage from raw material through manufacturing (A1-A3))

Kompan A/S
C.F. Tietgens Boulevard 32C
DK-5220 Odense SØ
Denmark



Validation of CO₂ calculation of: Freestanding play equipment



Data version no. 2021-09-27

The CO₂ calculation and data are in compliance with the principles of a carbon footprint impact according to the GHG protocol (Greenhouse Gas Protocol), Scope 3, cradle to gate related to all individual components in the product category: "Freestanding play equipment" represented by item no.: GXY916012-3417.

(Scope 3 emissions include emission sources in the upstream and downstream value chain).

Date: 15. October 2021 | Valid until: 15. October 2023

Validated by:

Bente Hviid, Senior Consultant

Peter Bendtsen, Senior Consultant

Validation based on report: Validation of CO₂ calculation of 8 categories of Kompan product line, version 1.0, prepared by: Bureau Veritas HSE, Denmark: Bente Hviid and Peter Bendtsen.

Publication date: 15. October 2021

By Bureau Veritas HSE
www.bureauveritas.dk
+45 7731 1000

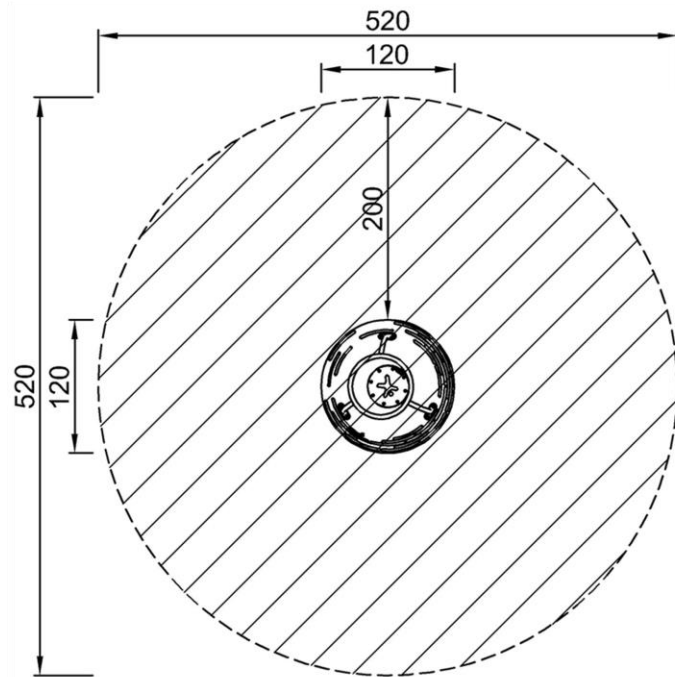


Tipi Carousel with Top Brace

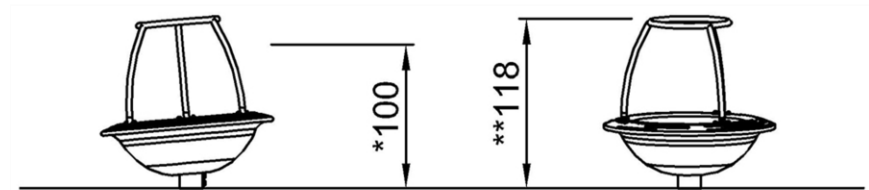
ELE400065

* Max fall height | ** Total height | *** Safety surfacing area

* Max fall height | ** Total height



ELE400065
*100cm
**118cm
***21.3m²



ELE400065
1:100

[Click to see 1:100 ratio TOP VIEW](#)

[Click to see 1:100 ratio SIDE VIEW](#)